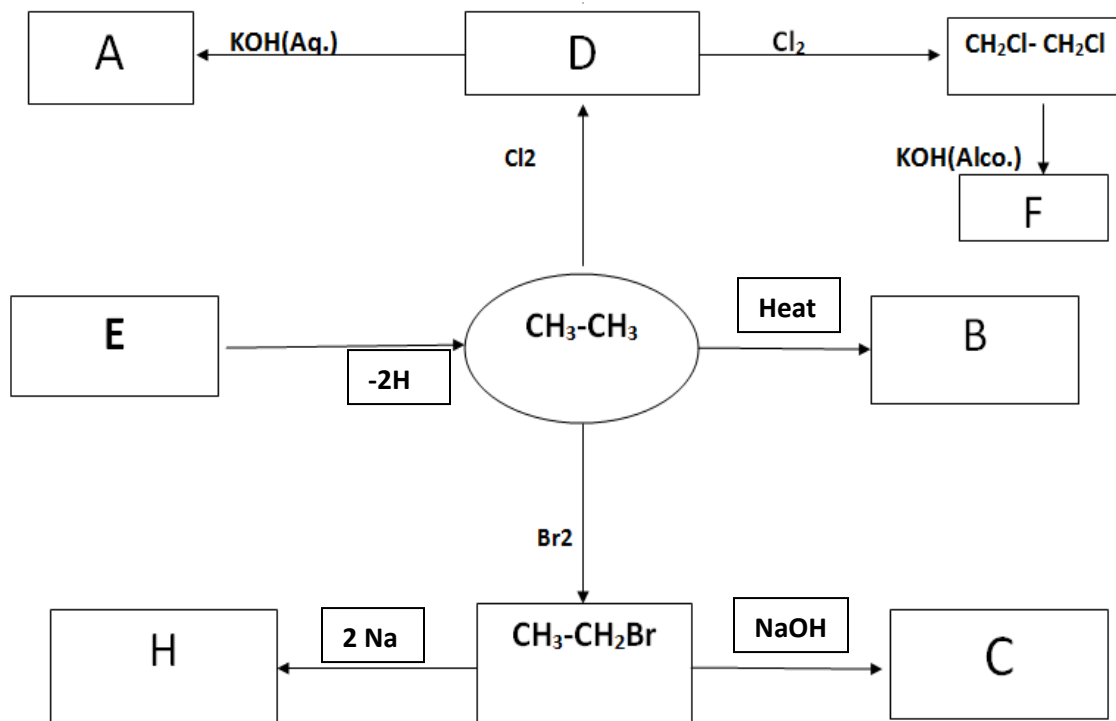




Benha University
Faculty of Agriculture
Biochemistry Dept.

First Quiz
Organic Chemistry



Write down the unknown compounds A, B, C, D, E, F, H

Best Wishes

Prof. Dr. Frahat Foda